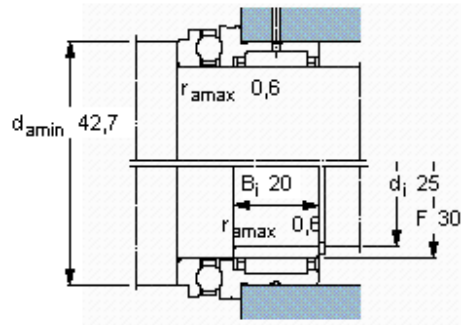
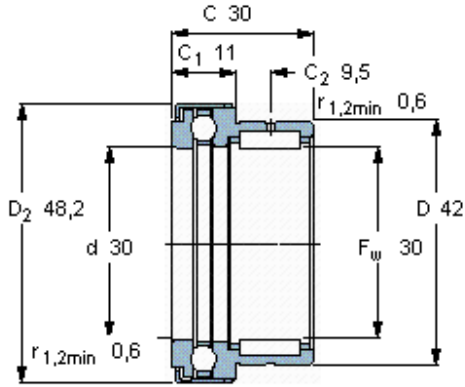


1_18, needle roller/full complement thrust ball bearings

Principal dimensions			Basic load ratings				Speed ratings		Limiting speed	Designation
F _w	D	C	radial dynamic C	static C ₀	axial dynamic C	static C ₀	Reference speed			
mm			kN				r/min		-	
30	42	30	22,9	38	20,3	45,5	6000	5000	NKX 30 Z	



Appropriate inner ring

IR 25x30x20